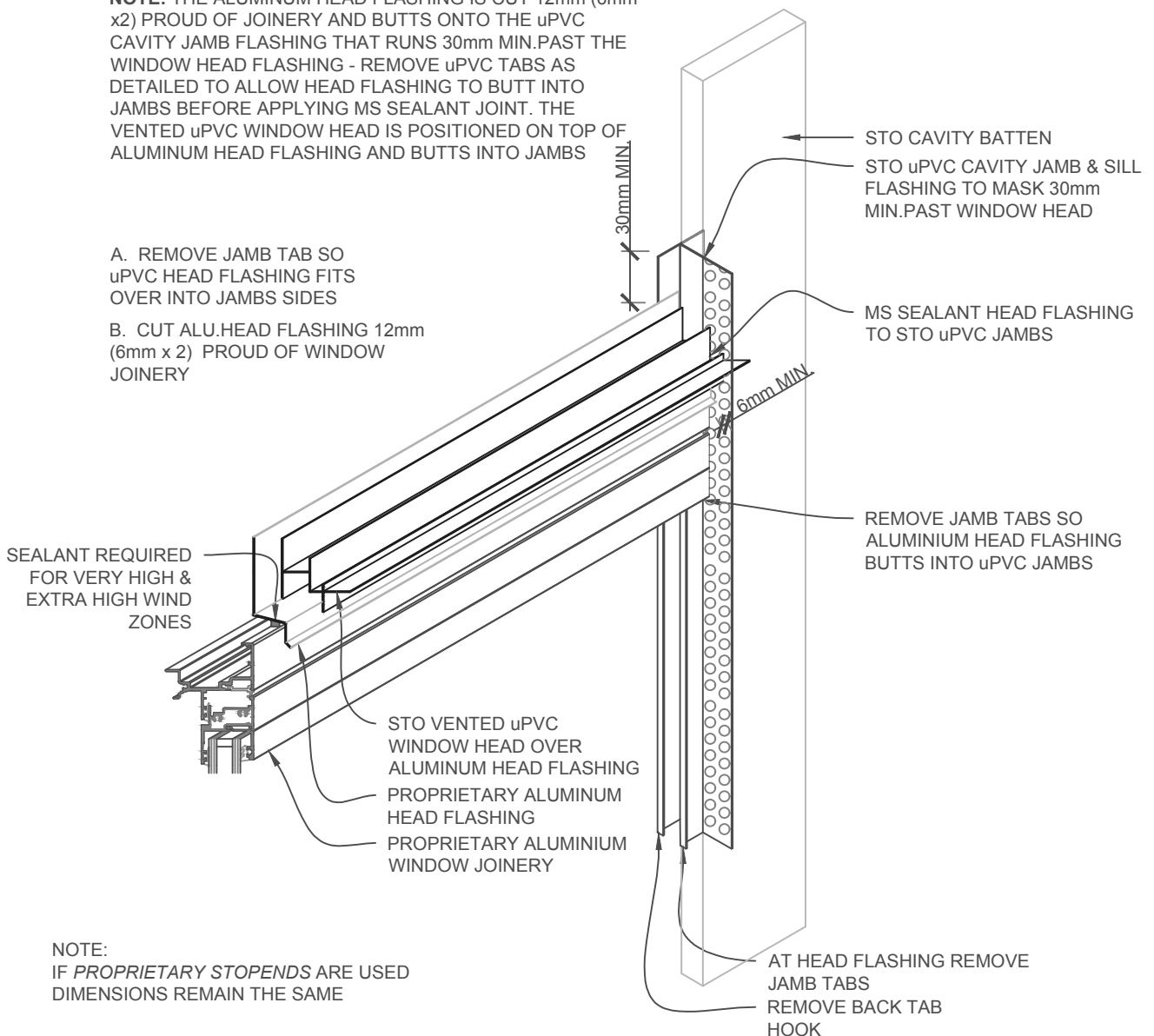


NOTE: THE ALUMINUM HEAD FLASHING IS CUT 12mm (6mm x2) PROUD OF JOINERY AND BUTTS ONTO THE uPVC CAVITY JAMB FLASHING THAT RUNS 30mm MIN.PAST THE WINDOW HEAD FLASHING - REMOVE uPVC TABS AS DETAILED TO ALLOW HEAD FLASHING TO BUTT INTO JAMBS BEFORE APPLYING MS SEALANT JOINT. THE VENTED uPVC WINDOW HEAD IS POSITIONED ON TOP OF ALUMINUM HEAD FLASHING AND BUTTS INTO JAMBS

- A. REMOVE JAMB TAB SO uPVC HEAD FLASHING FITS OVER INTO JAMBS SIDES
- B. CUT ALU.HEAD FLASHING 12mm (6mm x 2) PROUD OF WINDOW JOINERY



NOTE:
IF PROPRIETARY STOPENDS ARE USED
DIMENSIONS REMAIN THE SAME

SCALE 1:5

STOTHERM SYSTEM	STOTHERM INSULATED FACADE SYSTEM	ST 414
	STO uPVC HEAD & JAMB JOINERY - ISOMETRIC	2017