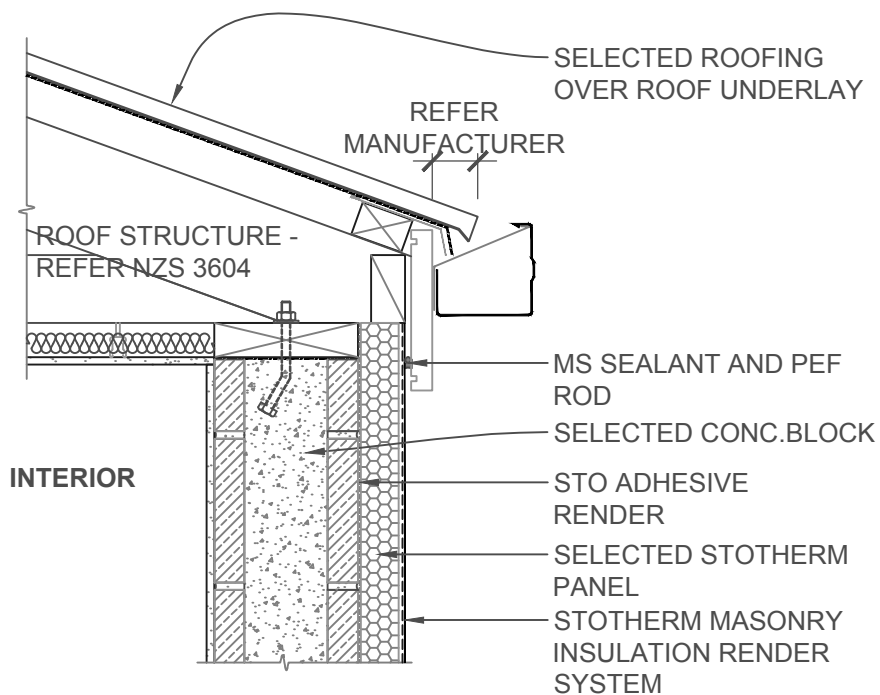


**NOTE:**

- MAX. ANGLE OF SOFFIT RESTRICTED TO BETWEEN 91° - 115°
- SOFFITS ARE FIXED AFTER RENDERING

SCALE 1:10

|                         |   |                |
|-------------------------|---|----------------|
| <b>STOTHERM MASONRY</b> | <b>STOTHERM MASONRY INSULATION SYSTEM</b> | <b>STM 602</b> |
|                         | <b>RAKING SOFFIT (REVERSED)</b>           | <b>2017</b>    |



NOTE: EAVE FLASHING **REQUIRED** WHERE

- ROOF SLOPE IS 10° or LESS
- SOFFIT WIDTH IS 100mm or LESS
- WIND ZONES ARE VERY HIGH or EXTRA HIGH

SCALE 1:10

|                             |   |                |
|-----------------------------|---|----------------|
| <b>STOTHERM<br/>MASONRY</b> | <b>STOTHERM MASONRY INSULATION SYSTEM</b> | <b>STM 603</b> |
|                             | <b>FACE FIXED FASCIA</b>                  | <b>2017</b>    |