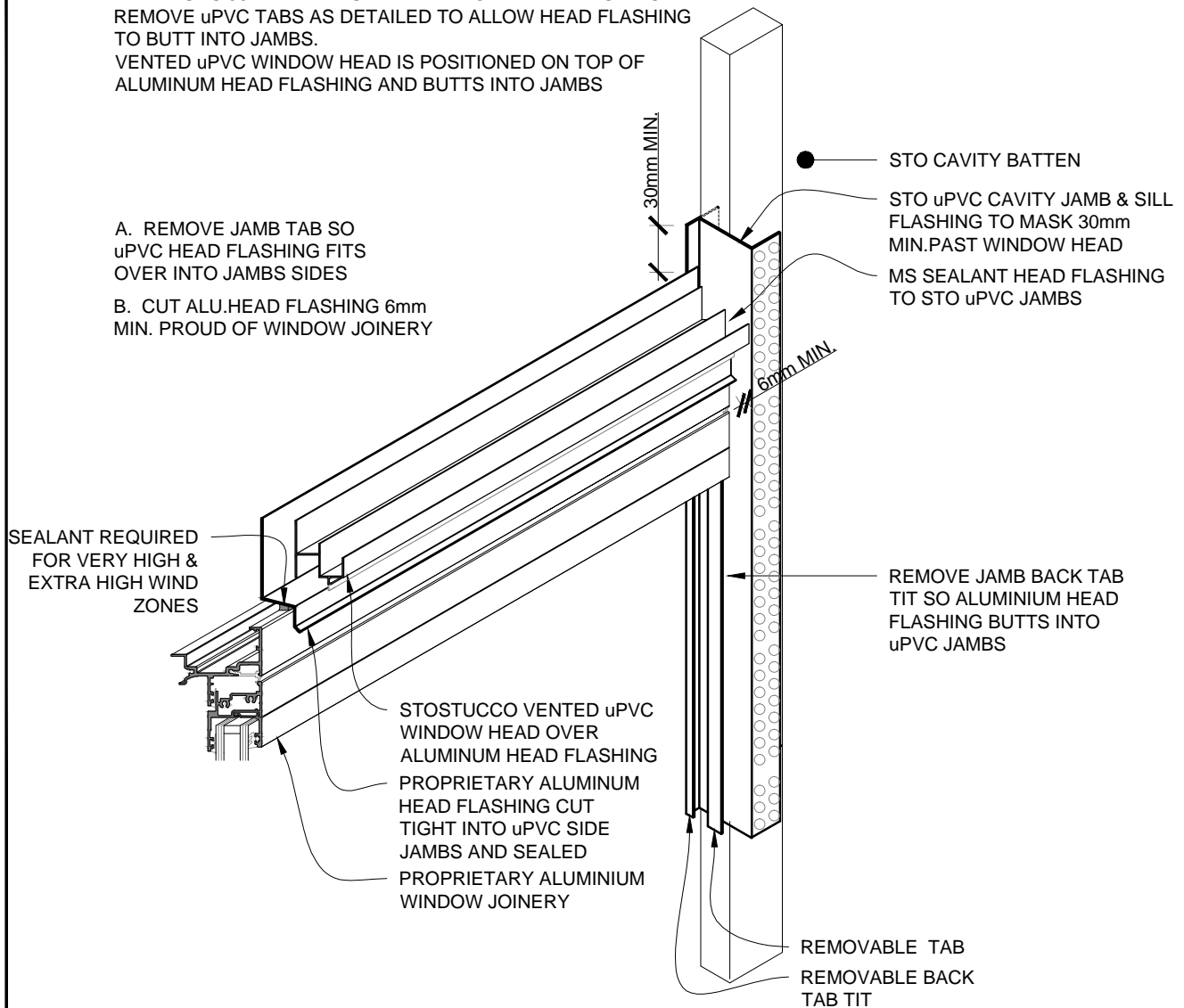


**NOTE:** THE ALUMINUM HEAD FLASHING BUTTS AND IS MS SEALANT JOINTED ONTO THE uPVC CAVITY JAMB FLASHING THAT RUNS 30mm MIN. PAST THE WINDOW HEAD FLASHING - REMOVE uPVC TABS AS DETAILED TO ALLOW HEAD FLASHING TO BUTT INTO JAMBS. VENTED uPVC WINDOW HEAD IS POSITIONED ON TOP OF ALUMINUM HEAD FLASHING AND BUTTS INTO JAMBS

- A. REMOVE JAMB TAB SO uPVC HEAD FLASHING FITS OVER INTO JAMBS SIDES
- B. CUT ALU. HEAD FLASHING 6mm MIN. PROUD OF WINDOW JOINERY



SCALE 1:5

<b>STOSTUCCO SYSTEM</b>	<b>STOSTUCCO CONSTRUCTION SYSTEM</b>	<b>SS 405</b>
	<b>STO uPVC HEAD &amp; JAMB FLASHINGS - ISOMETRIC</b>	<b>2014</b>

The information contained in this detail is based on our experience and testing and represents the latest information available at the date of issue. This detail is intended for use by the design professional and users of Sto products to assist in developing specific project details to be used in conjunction with a Sto Specification. We reserve the right to alter or update information at any time without prior notice & it is the responsibility of the specifier and/or the project manager to insure that they have the current Sto details and specifications.