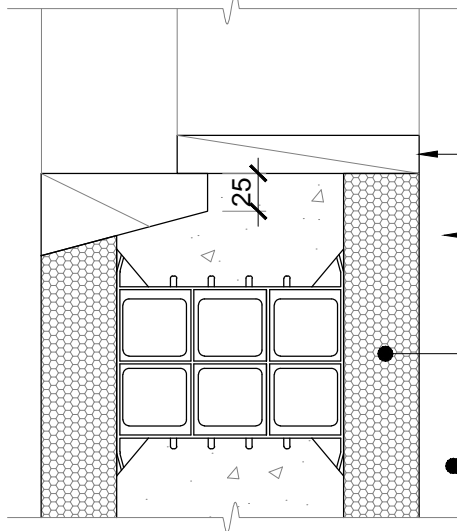
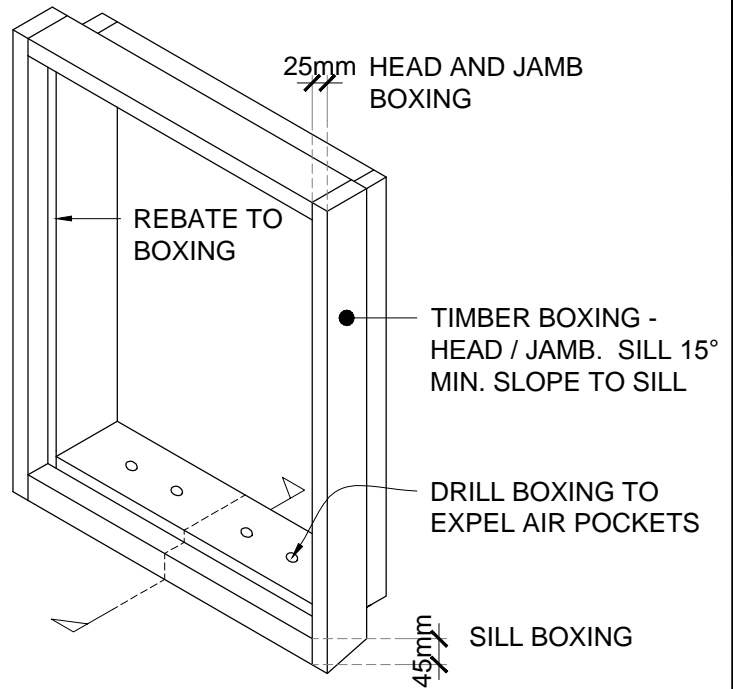
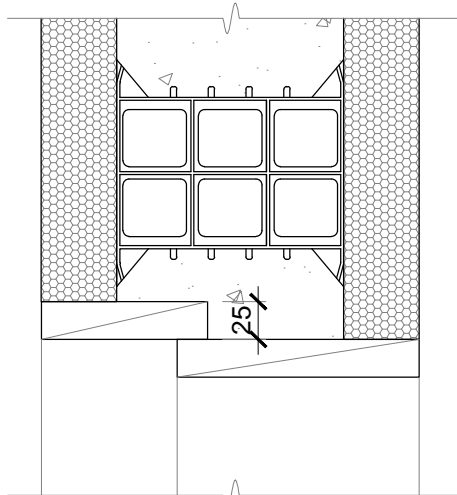


HEAD / JAMB DETAIL



SILL DETAIL

- ← TIMBER BOXING / POSITION FOR REQUIRED DEPTH
- ← ENSURE A 15° MIN. SLOPE TO A PLASTERED SILL
- REINFORCED EPS BLOCK
- CONCRETE INFILL

NOTE:
 THIS IS A DETAIL FOR A 25mm CONCRETE REBATE IN THE WINDOW OPENING WITH STO EPS BLOCK CONSTRUCTION

STO EPS-B SYSTEM	STO EPS/ICF BLOCK	EB 406
	FOR SOLID MASONRY REBATES	2014

The information contained in this detail is based on our experience and testing and represents the latest information available at the date of issue. This detail is intended for use by the design professional and users of Sto products to assist in developing specific project details to be used in conjunction with a Sto Specification. We reserve the right to alter or update information at any time without prior notice & it is the responsibility of the specifier and/or the project manager to insure that they have the current Sto details and specifications.