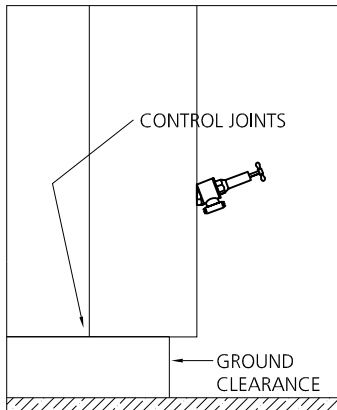


EXISTING PARAPETS, BALUSTRADES AND LEDGES:

CHECK ALL TOPS FOR ADEQUATE FALL - METAL AT 5° AND PLASTERED AT 10°

PLASTERED TOPS ARE TO HAVE STO FLEXYL MESHED WATERPROOFING INSTALLED IN ACCORDANCE TO THE SPECIFICATION

ENSURE ANY TOP FIXINGS OR FIXTURES ARE REMOVED AND REPOSITIONED OR USE AN APPROVED WATERPROOF DETAIL

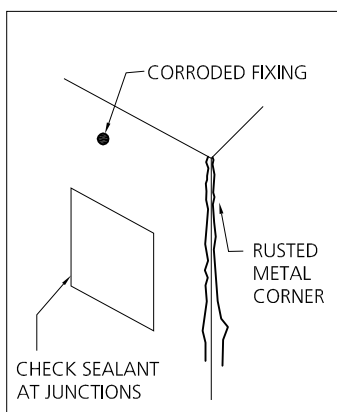


FITTINGS / GROUND CLEARANCE:

ENSURE ALL TAPS, GAS FITTINGS, LIGHTS RAINWATER HEADS, ETC. ARE SECURE AND WATERTIGHT

CHECK GROUND CLEARANCE MEETS NZBC

CHECK CONTROL JOINTS ARE INSTALLED IN ACCORDANCE WITH SUBSTRATE MANUFACTURERS REQUIREMENTS



CLADDING CONDITION:

ALL TRANSITIONS, JUNCTIONS, SEALANT JOINTS ARE TO BE CHECKED

REMOVE ANY CORRODED FLASHINGS, FIXINGS OR METAL CORNERS

ENSURE INTERSECTING ROOFS HAVE DIVERTER FLASHINGS INSTALLED

CONTROL JOINTS AND INTERSTOREY JOINTS SHOULD BE INSTALLED AS REQUIRED BY THE SUBSTRATE MANUFACTURER

REMEDIAL PLASTER SYSTEM	EXISTING SYSTEM CHECK	SAR-104
		JULY 2010

The information contained in this detail is based on our experience and testing and represents the latest information available at the date of issue. This detail is intended for use by the design professional and users of Sto products to assist in developing specific project details to be used in conjunction with a Sto Specification. We reserve the right to alter or update information at any time without prior notice & it is the responsibility of the specifier and/or the project manager to insure that they have the current Sto details and specifications.