



StoArmat Render System
Solutions for AFS
Logicwall® and Rediwall®

StoArmat Render System Solutions for AFS Permanent Formwork Construction

The StoArmat Render System provides the perfect reinforcing render to ensure maximum system reliability for AFS Logicwall® and Rediwall® construction. StoArmat, an organic, cement-free and breathable, high-impact render, with a crack resistance six times higher than that of standard cement-based plasters, ensures maximum system reliability for your building facade. Finished in a choice of different Stolit coloured finishing renders and StoColor for a complete weather tight solution.

At Sto, we aim to offer our customer's maximum quality and protection; that is why we continually optimise our systems, utilising the latest building technology providing an innovative edge. Take a look at a facade solution that works as promised, demonstrably better.

Cover: Thompson Park Apartments, Auckland
Architectural Designer: Creative Arch

Right: Aria Apartments, Auckland
Architect: TOA Architects



Sto, an international brand

Selected with confidence worldwide

Growth from a solid foundation

Establishment in 1835, Sto has undergone an astonishing course of development, from a simple German lime and cement works into one of the leading suppliers of facade insulated systems; a manufacturer of high-quality exterior and interior render systems and coatings worldwide.

Sto encompasses subsidiaries and distribution partners in over 50 countries across the globe. This focused presence provides Sto with a precise understanding of local climatic conditions, architectural styles, building practices, standards and tastes.

As the authorised partner of Sto for Australasia, Stoanz Ltd is committed to the Sto philosophy, "Building with conscience". Today, having developed a full range of Sto Render Systems that have been tested and certified by BRANZ for the market, Sto is recognised as a leader in the rendered facade and cladding market.

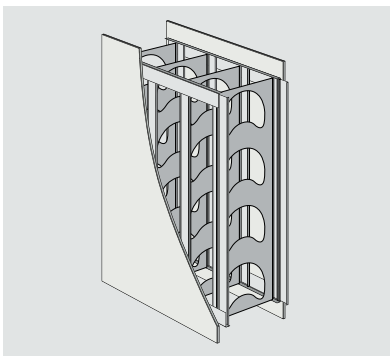


**Sto Head Office,
Research &
Development,
Production Centre
Wiezen, Germany**



We always respect nature and look after your interests

In order to define and implement its ecological targets, Sto has developed a system of environmental management which conforms to international standards. This relates to the entire process chain - from the procurement of raw products, to production, packaging and logistics. Sto makes a clear contribution towards improving and preserving the quality of the environment.



AFS formwork panels are quickly and simply hand erected on site and then core-filled with concrete to achieve load-bearing walls that are fire and sound rated.

AFS Logicwall®

A fibre cement based intertenancy wall system, for multi-residential projects.

AFS Rediwall®

A PVC permanent formwork system for below-ground and selected above-ground construction applications.

StoArmat benefits

A perfect formula of modern technology

Crack resistance

The impact of climate conditions and seismic activity can seriously threaten your property's facade. StoArmat reinforcement promises a crack resistance six times higher than that of standard cement-based plaster, durability against mechanical and seismic stresses, plus impact resistance; ensuring maximum system reliability and longevity for your building facade.

Vapour permeable

StoArmat with Stolit finishing renders promotes breathability and water vapour permeability, preventing moisture from being trapped between the render and substrate. Water retention behind the cladding is thus avoided, whereas with elastomeric plaster or paint, water can build up behind the coating, eventually leading to blistering.

Weather proof

StoArmat with Stolit finishing renders also guard against the weather and changing climate conditions to prevent and protect buildings from water damage. All Sto cement-free renders are polymeric, allowing them to repel water far better than traditional thick-coat plasters.

The StoWarranty

Installation is carried out by a Sto Registered Contractor (Licensed Building Practitioner) and comes with the added protection of a Sto 20 Year Warranty with StoService Assurance, ensuring the materials used and application meets building code standards, with a service plan for long-term performance.



StoArmat bend test



Sto Render System



StoArmat impact test

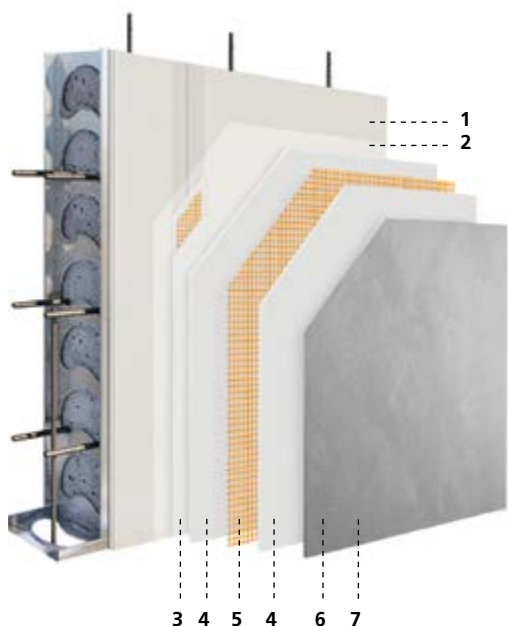
A bend test demonstrating extraordinary flexibility and an impact test proving the high-fracture resistance of StoArmat renders.



Blistered coating

Water vapour molecules pass through Sto renders and coatings while still promoting maximum weather-tight properties. Elastomeric plasters and paints can result in facade blistering and distortion as water vapour molecules become trapped.

StoArmat Render System on AFS Logicwall®



1. Substrate: AFS Logicwall®

Fibre cement permanent formwork for above-ground intertenancy wall applications.

2. Primer: Sto Putzgrund

Water based primer, containing an organic binder with good adhesion properties.

3. Joint Treatment: StoArmat / Sto Jointing Mesh

Easy to install, meeting the highest requirements for crack, stress and alkalinity resistance.

4. Reinforcement Render: StoArmat Render

An organic, weather resistant, cement-free and breathable, high-impact render, with a crack resistance six times higher than that of standard cement-based plasters.

5. Mesh: Sto Glass Fibre Mesh

Easy-to-install, meets the highest requirements for crack, stress and alkalinity resistance.

6. Coloured Finishing Renders: Stolit Renders

Organically bound, highly weather resistant, strong, hard-wearing, impact-resistant, pre-coloured finishing renders.

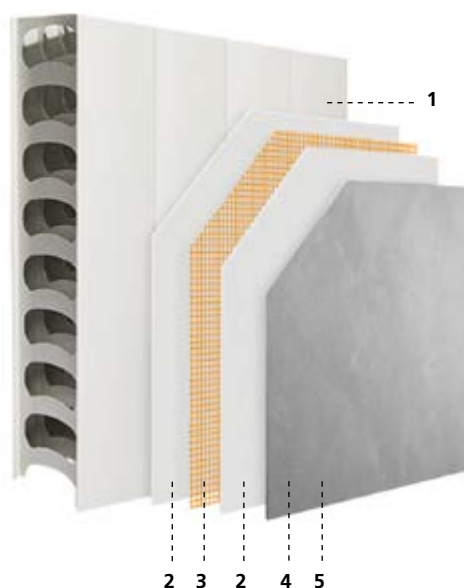
7. Facade Coating: StoColor or StoClear

StoColor coating based on IQ Technology for functional facades or a StoClear sealer.



**StoArmat 20 Year Warranty
with StoService Assurance**

StoArmat Render System on AFS Rediwall®



1. Substrate: AFS Rediwall®

PVC permanent formwork for below-ground and selected above ground construction applications.

2. Reinforcement Render: StoArmat Render

An organic, weather resistant, cement-free and breathable, high-impact render, with a crack resistance six times higher than that of standard cement-based plasters.

3. Mesh: Sto Glass Fibre Mesh

Easy-to-install, meets the highest requirements for crack, stress and alkalinity resistance.

4. Coloured Finishing Renders: Stolit Renders

Organically bound, highly weather resistant, strong, hard-wearing, impact-resistant, pre-coloured finishing renders.

5. Facade Coating: StoColor or StoClear

StoColor coating based on IQ Technology for functional facades or a StoClear sealer.



**StoArmat 20 Year Warranty
with StoService Assurance**

Stolit: Coloured finishing renders

Providing your facade with optimum protection

Stolit organic finishing renders are manufactured in Germany incorporating the latest technology; certified globally and successfully applied to rendered substrates in every climatic zone for over 50 years.

The Stolit range provides the perfect combination of properties: durable, strong, hard-wearing, impact-resistant, malleable, weather-resistant, colour-stable and highly resistant to microorganisms. In addition, its vapour permeability allows your building to breathe while still repelling water.

Whichever finishing render is chosen, each one is part of a tested and approved system, providing optimum protection and durability; This makes it indispensable in today's construction industry.

Benefits at a glance

- Available in the full spectrum of colours.
- Extremely low water absorption.
- Optimum surface adhesion.
- Shock-proof and highly resistant to cracks.
- Exceptional resistance to mechanical stress.
- Outstanding colour stability and product stability process – does not require an equalisation coat.
- Excellent application properties.



Stolit MP



Stolit MP Natural





All Stolit renders are easy to apply and can be tinted using the StoColor System or matched to the colour of your choice using the Sto Spectrometer.



Stolit K 1.0mm



Stolit K 1.5mm



Stolit K 2.0mm



Stolit K 3.0mm



Stolit renders are polymeric, allowing them to repel water and breathe, providing extra long-term protection superior to traditional, painted plaster systems.



Stolit Milano

The perfect finish

Facades as individual as you and your project

The StoColor System

The StoColor System with 1000 colour shades, or AC Architectural Colours with a range of 300 colour shades, provide a systematic approach to colour based on integrated layers, combining texture and colour to complement the architectural structure and design.


Alternatively, the colours of your choice can be matched electronically.

Tested protection and quality

Sto facade paints or clear sealers establish easy-to-maintain surfaces and an outer layer of the Sto protection system, fulfilling important building requirements in terms of maintenance and functionality.



Sto has been conducting intensive research in the field of bionics for many years. The result: facade paint with iQ – Intelligent Technology where innovative surface functions provide clear added value.

StoColor Maxicryl	StoColor Dryonic®	S-Protect SC Clear Sealer
<p>A natural looking, matt acrylate facade dispersion paint with high covering power and colour fastness. Suitable for masonry, brick, precast and all Sto rendered substrates.</p>	<p>Biomimetic facade paint with Dryonic® Technology, for dry and clean facades to protect against algae and fungal attacks, with SunBlock and X-black Technology.</p>	<p>Invisible silane treatment to repel water instantly and help prevent the adhesion of contaminants.</p>
<ul style="list-style-type: none"> • Excellent hiding power. • Easy, simple application. • Natural matt finish. • Full colour selection. 	<ul style="list-style-type: none"> • Can be applied to virtually all conventional construction substrates, render, concrete, brick, metal or wood. • Dryonic® Technology for dry and clean facades to protect against algae and fungal attacks. • High level of colour stability thanks to SunBlock Technology. • X-black (heat reflective) Technology keeps the facade temperature below +65°C. • Slight silk gloss visible depending on angle. • Full colour selection. 	<ul style="list-style-type: none"> • Invisible silane treatment for the Stolit MP range and Stolit Milano render finishes. • Hydrophobic (water repellent), the treated facade stays dry. • Helps keep the facade clean, by preventing the adhesion of contaminants that are easily removed naturally by rain. • Invisible finish.

Well advised

Let yourself be inspired

Individual customer consultation and project support is the basis of a successful business relationship at Sto. Whether on the telephone, in the sales centre or on the construction site – the Sto team will be pleased to provide you with advice, assistance and creative ideas.

Sto customer service

Service at Sto goes far beyond the development and sale of high-quality products. Ultimately, any product is only as good as its application. This is why Sto places great emphasis on service and consultation. The Sto team are here for their customers, providing comprehensive information and tips on the practical use of new products and relaying detailed knowledge from the Sto technical department.

Smart and sustainable

Sto's impact on performance is big, but the footprint on the environment is small. All Sto products are vapour permeable, easy to apply, safe and non-toxic with low VOCs. Sto incorporates sustainable practices throughout its operations, earning ISO 9001 for quality assurance and 14001 certification for their environmental management system. Many Sto products help reduce the environmental impact of construction by providing insulation, reducing maintenance requirements and extending the life cycle of building facades.

For contact details of your nearest Consultant, please see the reverse side of this brochure.



BRANZ Appraised



QUALITY ASSURED



EN ISO 14001

Head Office

Wellington

Stoanz Ltd
72 Abel Smith Street
Wellington, New Zealand
Phone +64 4 801 7794
Fax +64 4 384 9828

General Enquiries

Phone +64 4 801 7794
Email info@sto.co.nz
Web www.sto.co.nz



Auckland & Northland

309 Rosebank Road, Avondale
Auckland, New Zealand
Phone +64 9 522 1058
Fax +64 9 522 1054

Central North Island

Phone +64 4 801 7794
Mobile +64 27 299 9290

Christchurch &

Upper South Island

47A Waterloo Road, Hornby
Christchurch, New Zealand
Phone +64 3 338 3570
Fax +64 3 338 3571

Lower South Island

Phone +64 4 801 7794
Mobile +64 27 453 686